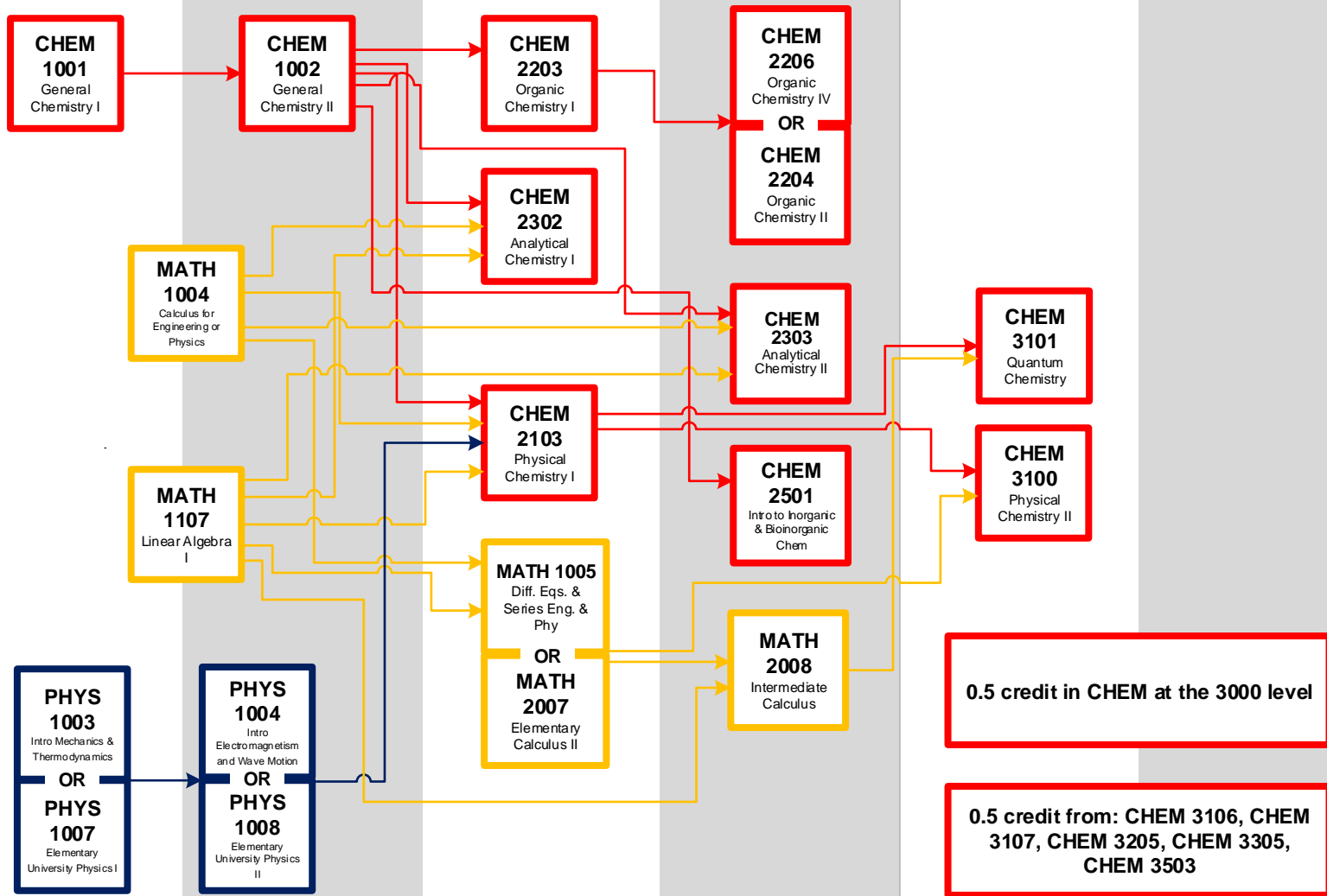


FIRST YEAR

SECOND YEAR

THIRD YEAR

FALL WINTER FALL WINTER FALL WINTER



0.5 credits in Science Continuation Courses not in CHEM

Plus

1.0 credit In Science Faculty Electives at the 1000 level, not BIOL 1902

Plus

1.5 credits in Science Faculty Electives or Science Continuation Courses, not BIOL 1902

Plus

2.0 credits in approved courses outside the faculties of Science and Engineering and Design (may include NSCI 1000)

Plus

1.0 credits in Free Electives

■ Chemistry ■ Physics
■ Math & Stats ■ Electives

Note:

- This is a snapshot of the Undergraduate Calendar. Information can change. Always consult your audit and seek advising if you are off track.
- Some courses are offered in the summer term. Please check Carleton Central for availability.