

FIRST YEAR

SECOND YEAR

THIRD YEAR

FOURTH YEAR

FALL

WINTER

FALL

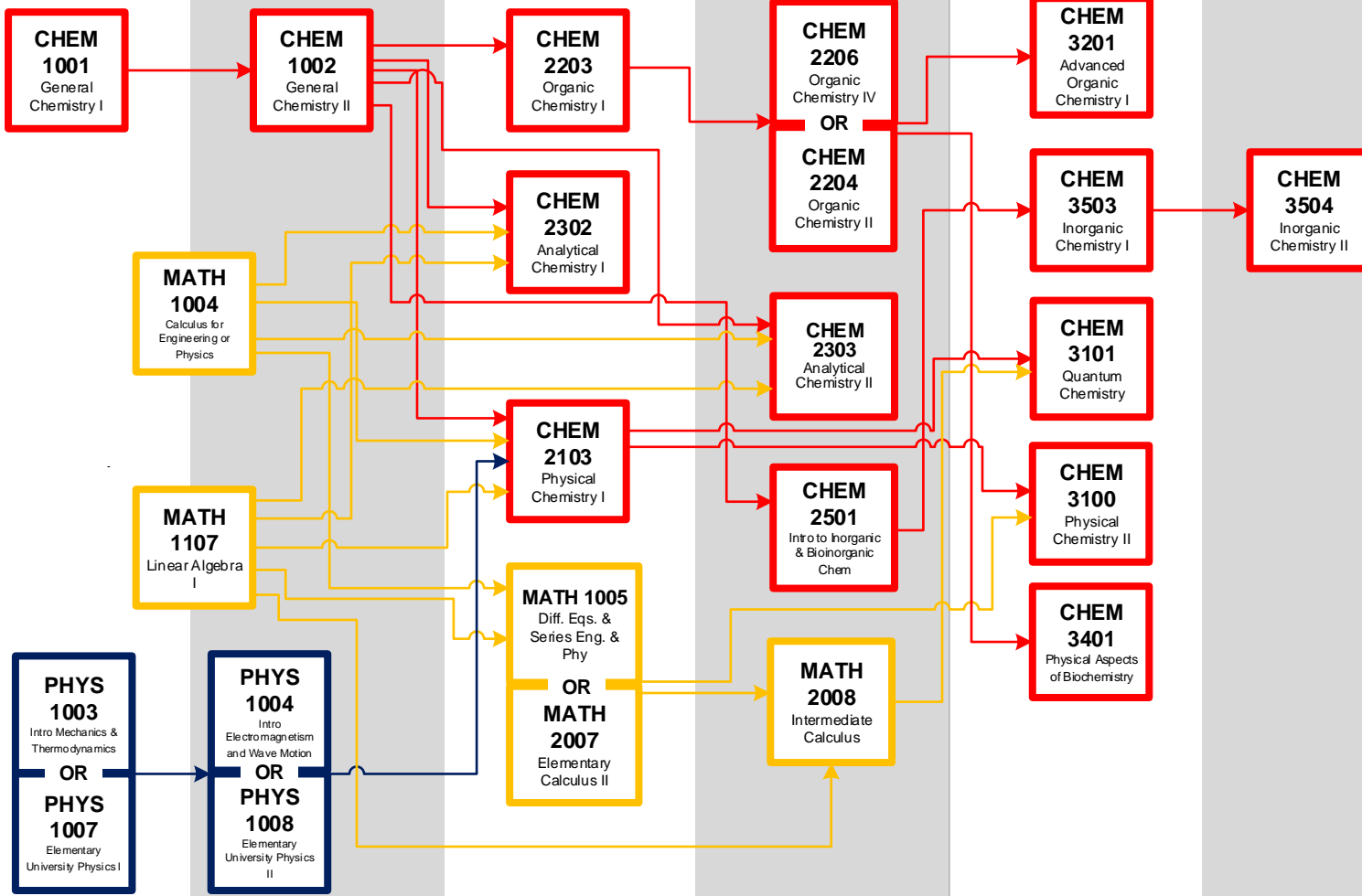
WINTER

FALL

WINTER

FALL

WINTER



Other courses may include: CHEM 3106, CHEM 3107, CHEM 3205, CHEM 3305

Minor in Chemistry requirements include:

1.0 credit from CHEM 1001 & CHEM 1002  
Plus

3.0 credits in Chemistry at the 2000-level or higher

The remaining requirements of the major discipline(s) and degree must be satisfied

Note: Not all Chemistry course options are listed in this chart. Please visit the undergraduate calendar for more options. However, please note that several upper year chemistry courses have prerequisites that must be fulfilled.

- Chemistry
- Physics
- Math & Stats
- Electives

Note:

- This is a snapshot of the Undergraduate Calendar. Information can change. Always consult your audit and seek advising if you are off track.
- Some courses are offered in the summer term. Please check Carleton Central for availability.