



Design is ... Luis Garcia

ROLLING GARDENING CHAIR

ASSISTIVE GARDENING DEVICE FOR PEOPLE WITH DISABILITIES IN RURAL UGANDA



**EMPOWERING
DISABLED PEOPLE TO
GROW THEIR OWN
FOOD INDEPENDANTLY**

FINDING AN OPPORTUNITY



A CULTIVATING CULTURE

86% Of the rural population in Uganda
relies on subsistence agriculture



A VICIOUS CYCLE

Due to dependency, bad stigma and
poverty, many disabled people struggle
to find sufficient food on a daily basis



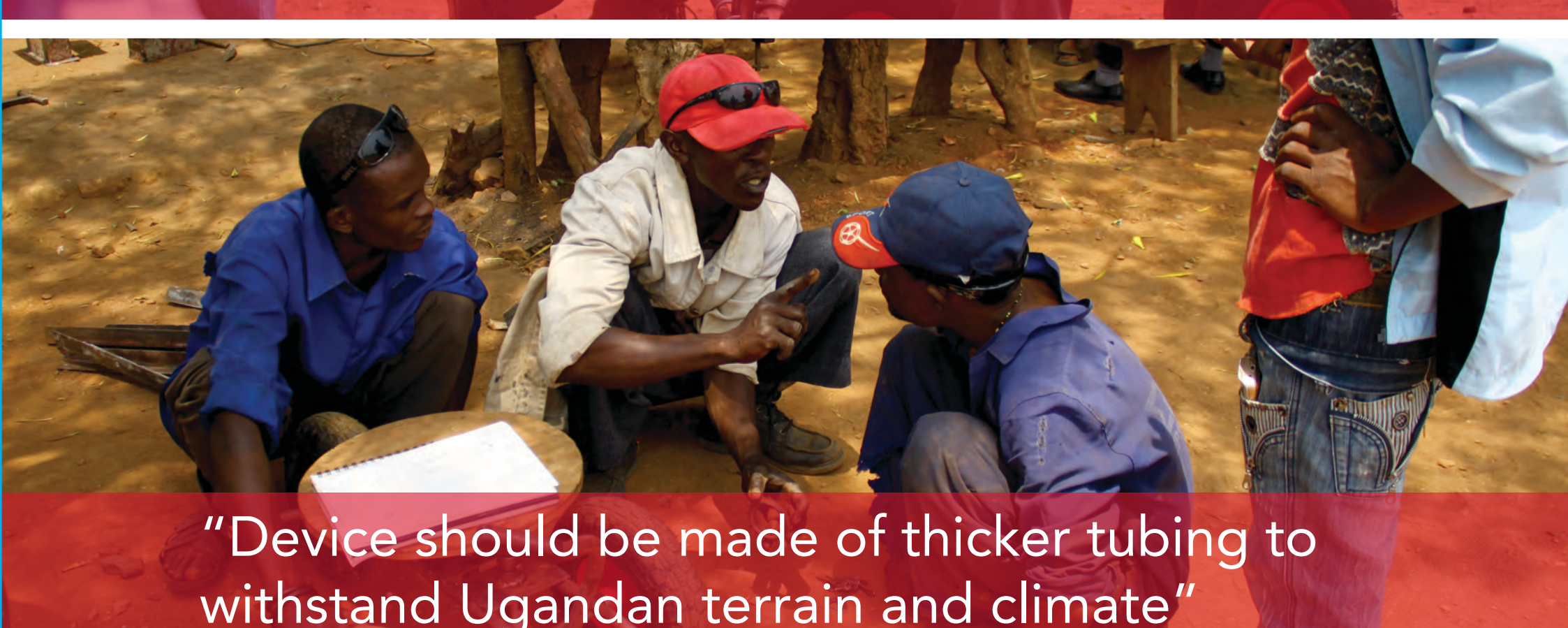
DISABILITY IS NOT INABILITY

Empowering disabled people to cultivate
their own food enables them to contribute
to their families and society

USER FEEDBACK



"I would like to be able to push the device with one
hand while picking vegetables with the other hand"



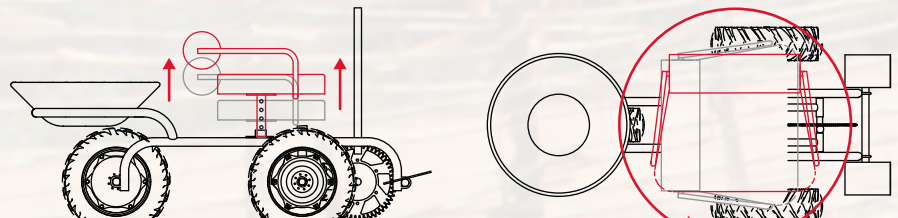
"Device should be made of thicker tubing to
withstand Ugandan terrain and climate"



"This device would allow me to move around in my
garden. It would make gardening much easier"

THE DESIGN

Seat



Seat is height adjustable
and rotates 360°

Basket Holder



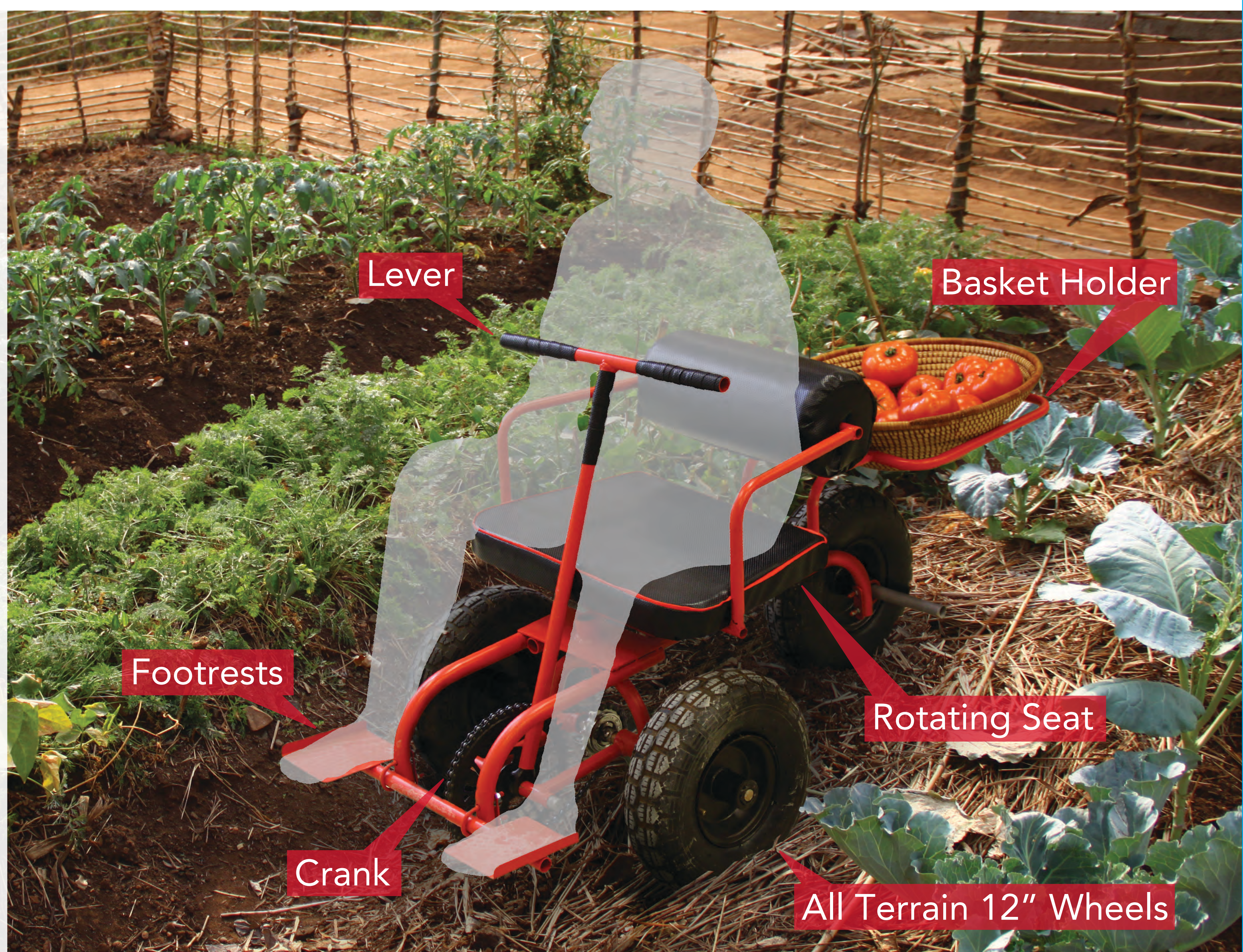
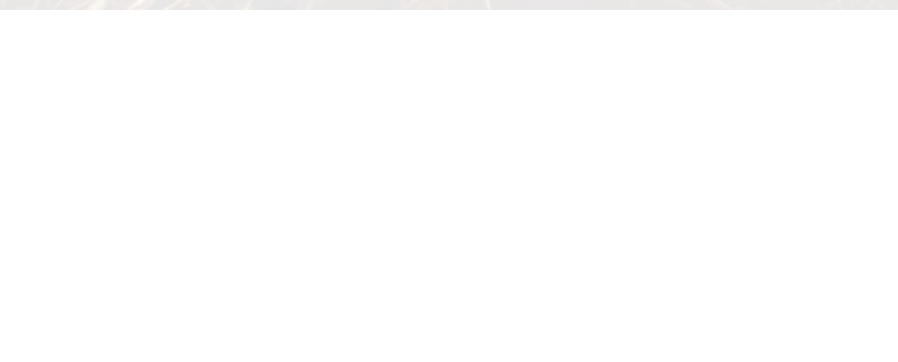
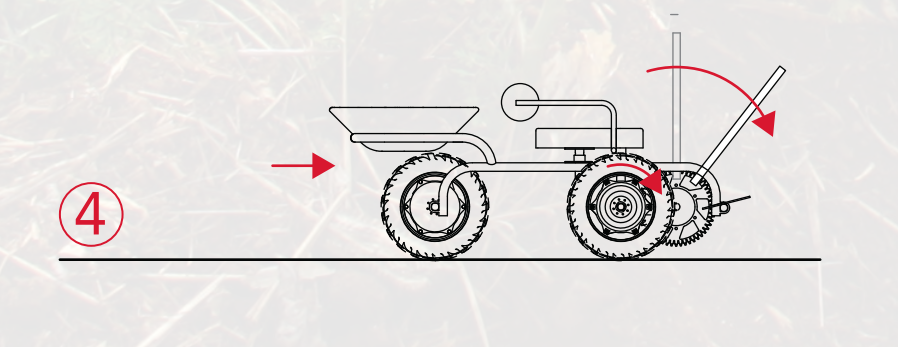
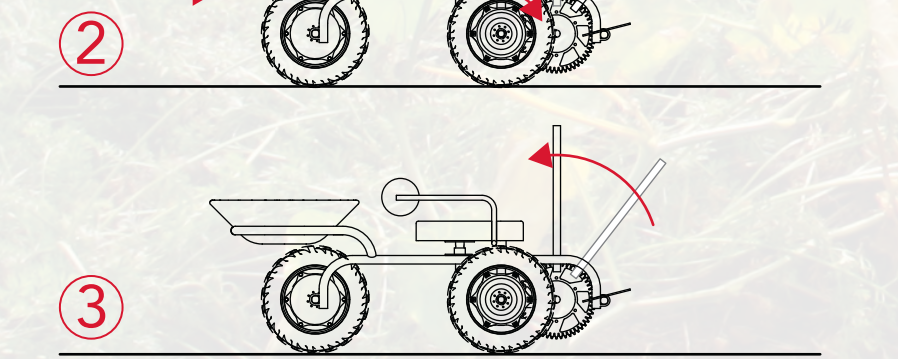
Basket holder
provides space
for storing crops

Steering

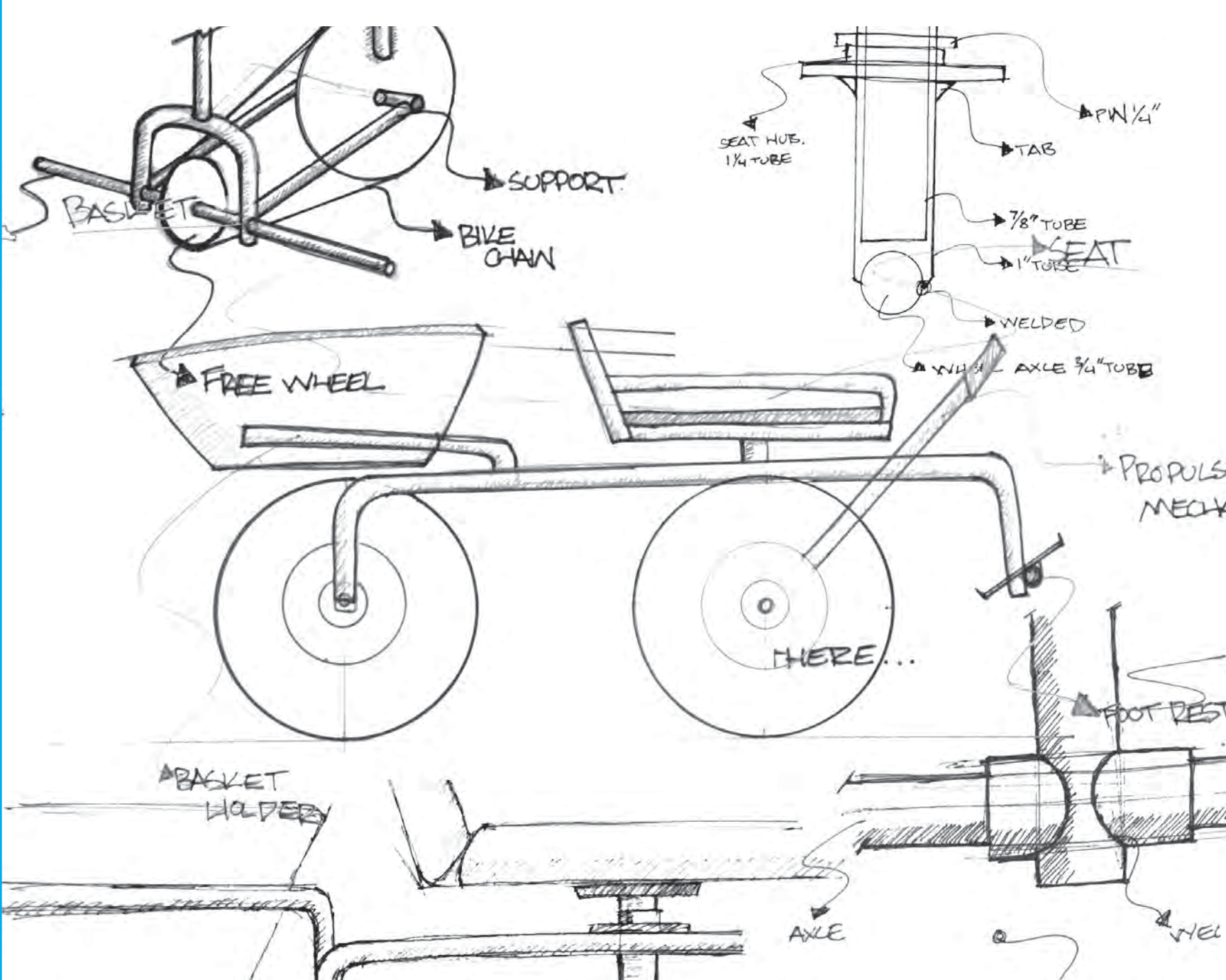


Front wheels
steer to make
device
manouverable

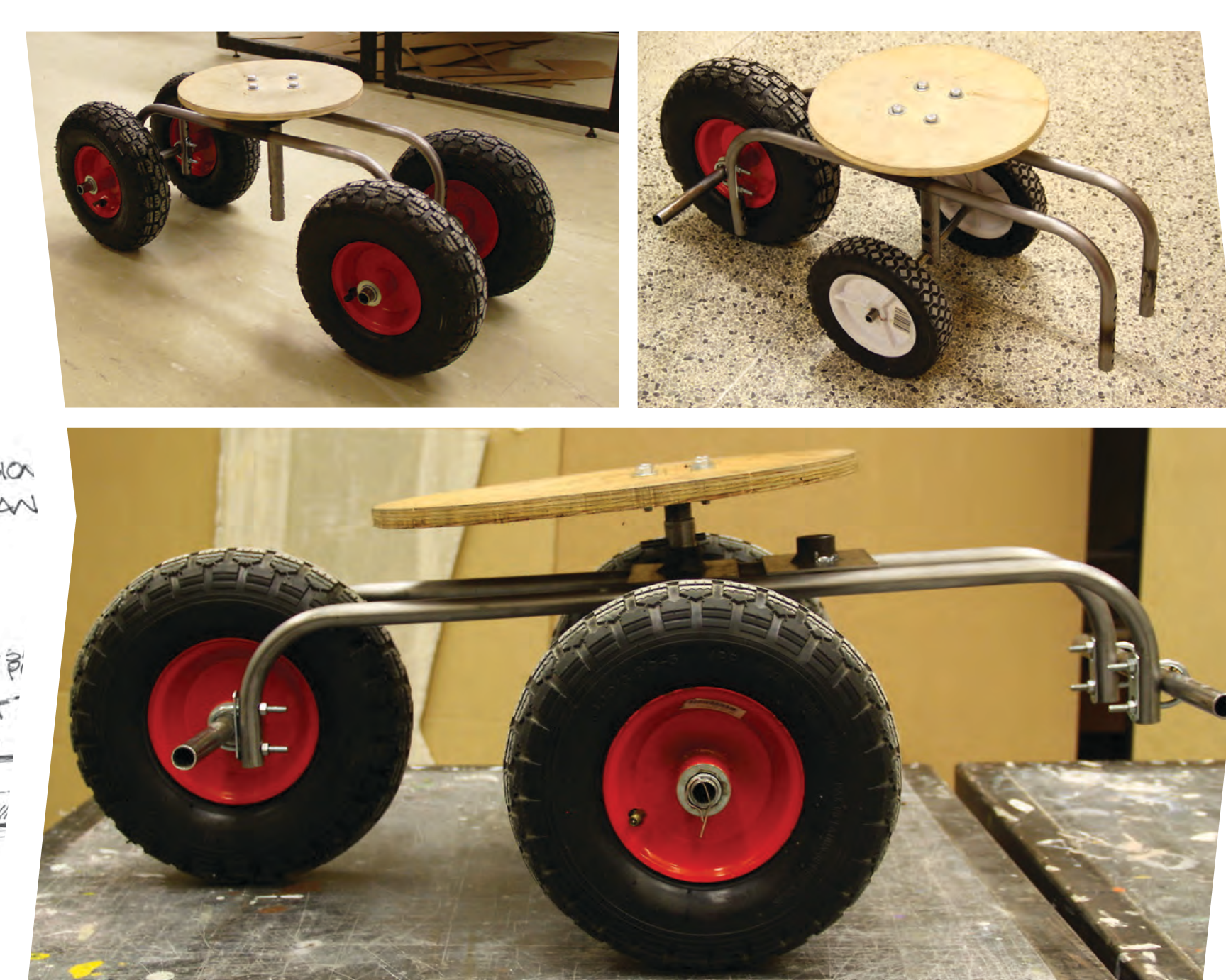
Propulsion Mechanism:



PROCESS



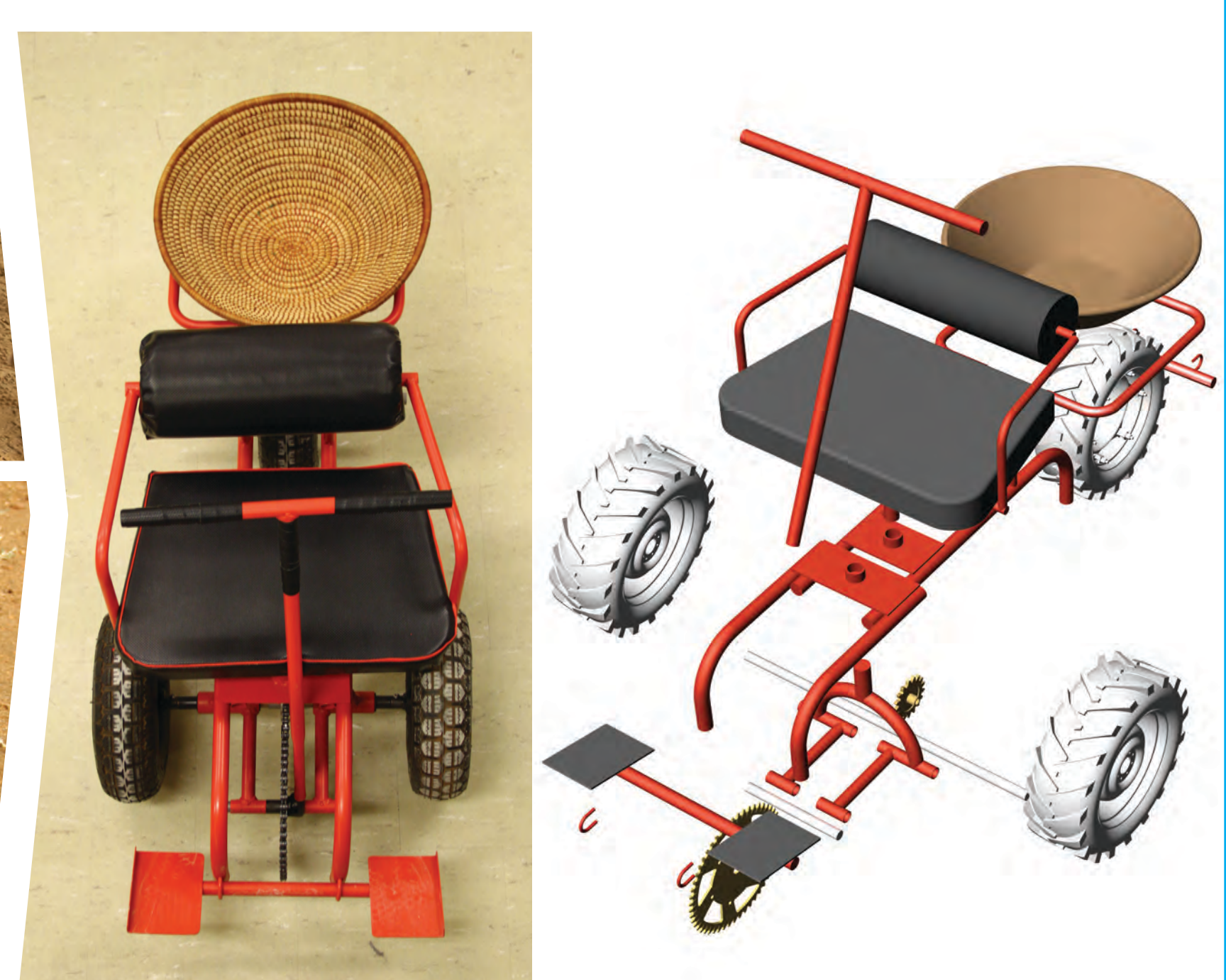
1 Ideation



2 Initial iterations



3 Iterations in Uganda



4 Final Prototype